

Presence detector - Professional Line

IR Quattro HD 24m

COM1 - in-ceiling installation white

EAN 4007841 079369

Article number 079369



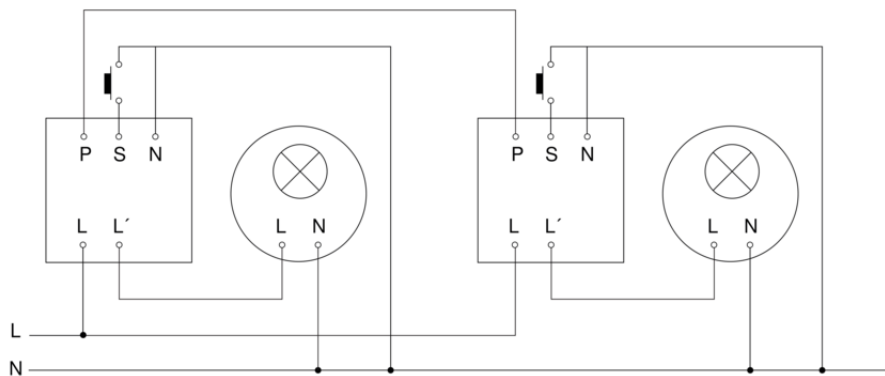
IR Quattro HD 24m

COM1 - in-ceiling installation white
EAN 4007841 079369
Article number 079369

Master circuit diagram



Master/master interconnection circuit diagram



IR Quattro HD 24m

COM1 - in-ceiling installation white

EAN 4007841 079369

Article number 079369

Master/slave interconnection circuit diagram

